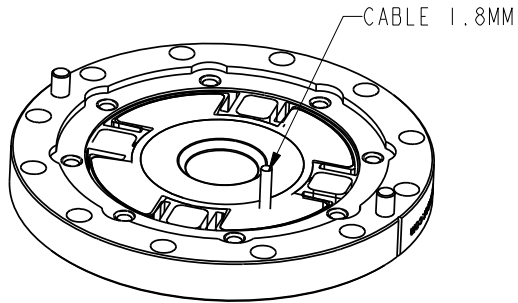
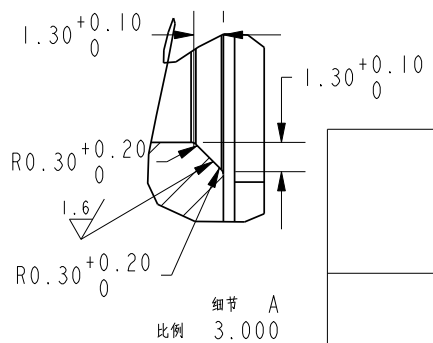


NOTE: THE OVERLOAD CAPACITIES FOR BENDING MOMENT, AXIAL AND RADIAL FORCE EXCEED 300% OF THOSE USED FOR CROSSTALK MEASUREMENT



未标注倒角: C0.3



SPECIFICATIONS	
CAPACITY (Nm)	30
OVERLOAD CAPACITY (%F.S.)	300
OUTPUT @ F.S. (V), AFTER AMPLIFIER	2.5±2
POWER SUPPLY (V)	5V
BRIDGE RESISTANCE (Ω) NOMINAL	350
NON-LINEARITY (%F.S.)	0.5
HYSTERESIS (%F.S.)	1.0
OPERATING TEMP. RANGE (°C)	-20 TO +100
CROSSTALK (%F.S.)	1.0
AXIAL FORCE FOR CROSSTALK (N)	250
RADIAL FORCE FOR CROSSTALK (N)	250
BENDING MOMENT FOR CROSSTALK (Nm)	25
TORSION ANGLE (CALCULATED)	0.04°
TORSIONAL STIFFNESS (KNM/RAD)	40
BENDING STIFFNESS (KNM/RAD)	7
MASS (g)	170

WIRING CODE	
COLOR	FUNCTION
RED	+EX
GREEN	+SIG
BLACK	GND
WHITE	-SIG

SUNRISE INSTRUMENTS
www.srisensor.com

SINGLE AXIS TORQUE LOADCELL
CARI4 D70MM, 30 Nm

UNLESS OTHERWISE SPECIFIED DIMENSIONS ARE IN MM	M2214B2	REV. 0.5
--	---------	-------------