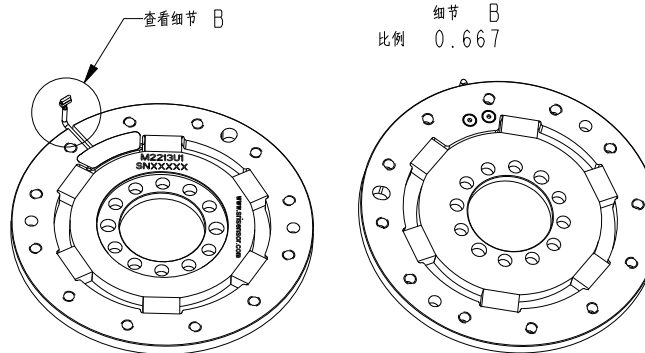


NOTE: THE OVERLOAD CAPACITIES FOR BENDING MOMENT, AXIAL AND RADIAL FORCE EXCEED 300% OF THOSE USED FOR CROSSTALK MEASUREMENT

SPECIFICATIONS

CAPACITY (Nm)	850
OVERLOAD CAPACITY (%F.S.)	200
OUTPUT @ F.S. (V) NOMINAL	1.0 MV/V
POWER SUPPLY (V)	5V
BRIDGE RESISTANCE (Ω) NOMINAL	700
NON-LINEARITY (%F.S.)	0.5
HYSTERESIS (%F.S.)	0.5
OPERATING TEMP. RANGE (°C)	-20 TO +100
CROSSTALK (%F.S.)	1.0
AXIAL FORCE FOR CROSSTALK (N)	1200
RADIAL FORCE FOR CROSSTALK (N)	2000
BENDING MOMENT FOR CROSSTALK (Nm)	260
TORSION ANGLE (CALCULATED)	0.06°
TORSIONAL STIFFNESS (KNm/RAD)	760
BENDING STIFFNESS (KNm/RAD)	120
MASS (KG)	0.41



DRAWING IN THIRD ANGLE PROJECTION

WIRING CODE

NO.	COLOR	FUNCTION
1	SHIELDING WIRE	
2	BLACK	GND
3	GREEN	+SIG
4	WHITE	-SIG
5	RED	+EX

SUNRISE INSTRUMENTS

www.srisensor.com

SINGLE AXIS TORQUE LOADCELL
D120MM, 850 Nm

UNLESS OTHERWISE SPECIFIED
DIMENSIONS ARE IN MM

M2213U1

REV.
C